

OCR315e / OCR 316e USB OCR Reader with Optional MSR

Compact USB OCR reader for reading passports and ID cards with optional MSR

Description

The OCR315e and OCR316e are compact and robust OCR readers. The devices can simply be attached to a variety of handheld and ultra mobile PCs, tablets, standard desktop keyboards and monitors, or act as standalone units as part of the check-in process. The interface connection is via USB. The track length and single slot design is optimised to ensure that passports and ID cards are correctly aligned for consistent and accurate reading.

The OCR decoder has an advanced recognition engine, that provides highly accurate and very fast document reading.

The OCR315e bi-directional reader can read 2-line and 3-line MRZs from passports, ID cards, machine-readable visas and ICAO9303 travel documents.

The OCR316e model also integrates a three-track MSR and is able to read credit and debit cards, loyalty cards and frequent flyer cards as well as MRZ documents.

The OCR315e and OCR316e are designed and manufactured in the UK to ensure rugged, robust quality.



The OCR315e and OCR316e readers can easily be attached to standard sized monitors and keyboards



*OCR315e/316e compact
OCR document reader*

Applications

- Airport check-in and gate applications and security checks
- AQQ, eBorders and APIS generation
- Duty Free
- Hotel and car hire registration
- Portable border control applications
- Police identification-checking
- Banking ID checks

Features

OCR315e

- Compact design and small footprint
- USB 2.0 interface (USB HID, keyboard and virtual serial interfaces)
- Reads machine readable passports, visas and travel cards conforming to ICAO Document 9303
- Rapid and accurate decoding using Access' established OCR decoding technology
- Bidirectional OCR read
- Bi-colour LED and audible alarm providing good/bad read indication
- Can be used as free standing or mounted to monitors, keyboards or tablets
- Cable length options
- Multiple cable exit positions
- Firmware download / upgrade capability

OCR316e

- As OCR315e, with an additional bi-directional, 3-track MSR conforming to ISO 7811/2-5 tracks 1, 2 and 3.

Access IS
18 Suttons Business Park
Reading, Berkshire
RG6 1AZ, United Kingdom
Tel: +44 (0) 118 966 3333
Fax: +44 (0) 118 926 7281

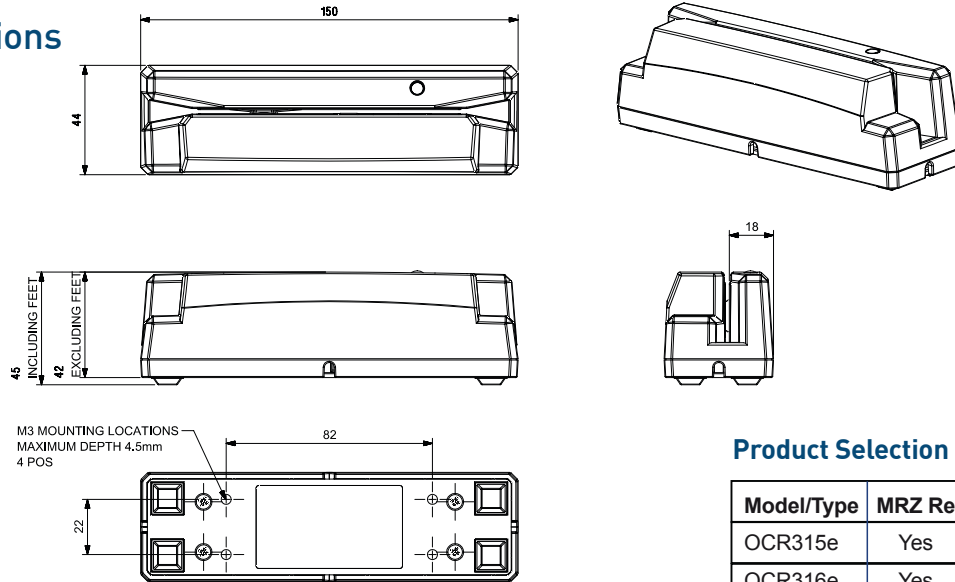
Access (North America) inc
Atlanta
Georgia
USA
Tel: +1-770-645-2771

Access IS
Interfacing Solutions

For further information email: sales@access-is.com or visit our website: www.access-is.com

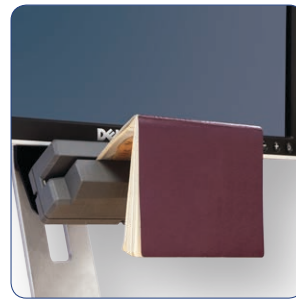
All trademarks acknowledged. Specifications subject to change without prior notice. This literature is for outline information only.

Dimensions



Product Selection

Model/Type	MRZ Read	MSR Read
OCR315e	Yes	No
OCR316e	Yes	Yes



The OCR315e and OCR316e integrate well in a variety of ways with keyboards, monitors and tablets

OCR315e/OCR316e series OCR and OCR/MSR document readers

Specifications

OCR read capabilities

Standard OCR fonts: OCR-B; and E13B (by special order only)

Machine readable passports (MRP): 2 lines of 44 characters

Machine readable visas (MRV): 2 lines of 44 characters, 2 lines of 36 characters

Travel documents: 2 lines of 36 characters, 3 lines of 30 characters

Magnetic swipe reader (OCR316e model)

Three-track magnetic cards complying with ISO7811/ 2-5

General

Overall dimension: 150L x 44W x 42H mm (excluding feet); x 45H mm (including feet)

Weight: 200 g

Beeper: Single beep for good read, 3 beeps for bad read

Indicators: Power and good and bad read LED indication

Cable Length: Short and 1.5m options

Colour: Dark grey

Connection and interfaces

USB2.0 full-speed interface

USB HID (virtual serial and keyboard emulation options)

Electrical specifications

Input voltage: +5 VDC, 250 mA via USB connection

Environmental

Operating temperature: 0°C to 50°C

Storage temperature: -20°C to 60°C

Approvals

Safety: EN 60950-1: 2006

EMC: FCC 47CFR Part 15 Class A;

EN 55022: 2006 + Amd1: 2007;

EN 55024: 1998 + Amd1: 2001 + Amd2:

2003

Ver: 2.2 April 2014

Access IS
18 Suttons Business Park
Reading, Berkshire
RG6 1AZ, United Kingdom
Tel: +44 (0) 118 966 3333
Fax: +44 (0) 118 926 7281

Access (North America) inc
Atlanta
Georgia
USA
Tel: +1-770-645-2771

Access IS
Interfacing Solutions

For further information email: sales@access-is.com or visit our website: www.access-is.com

All trademarks acknowledged. Specifications subject to change without prior notice. This literature is for outline information only.