



- Additionally, it's a card reader that works with 13.56 MHz Smart cards (ISO 14443 Type-A) by reading the embedded UID (Unique Identifier) of the card.
- Furthermore, it has the capability to convert a number received over 1-W into a 32-bit format. This adaptation allows it to meet the diverse requirements of different access control systems.

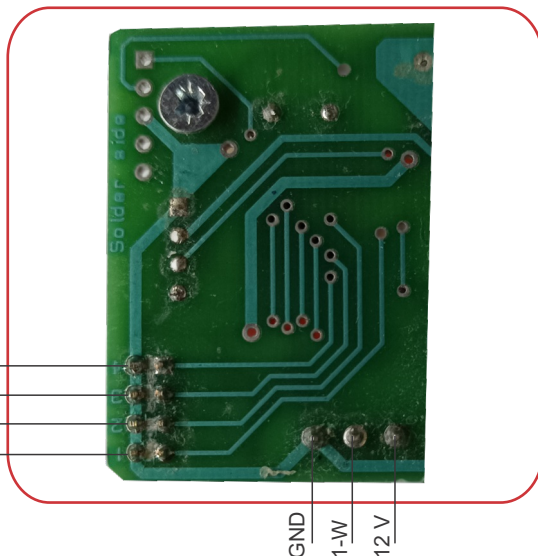
ENERGY SAVING MODULE HEL532

Step into a world where access control meets innovation, where advanced technology seamlessly merges with modern design, and where security reaches new heights. Introducing to you the Contactless Card Reader that revolutionizes the essence of access control, ushering in a new era of convenience, security, and sophistication.

It's a contactless card reader that operates with 13.56 MHz Smart cards (ISO 14443 Type-A).

The reader is equipped with both auditory and visual indicators, providing an immediate response to users and facilitating operation in low-light or noisy environments. These indicators are controlled by the controller through a control input. Furthermore, there's an additional switch that allows the disabling of the auditory indicator for permitted access.

1. Power supply voltage	10.5-15 V DC
2. Reader's power consumption (max)	50 mA (150 mA)
3. Operating temperature	25°C up to +50°C
4. Humidity (non-condensing)	0% – 90% PRH
5. Protocol format	1-W
6. Number of operating modes	1
7. Indication	Audio and visual
8. Number of control inputs	1



cut to set ID4
cut to set ID3
cut to set ID2
cut to set ID1

GND
1-W
12 V

LED indicator

white	normal - no card
red	access denied
green	access granted